



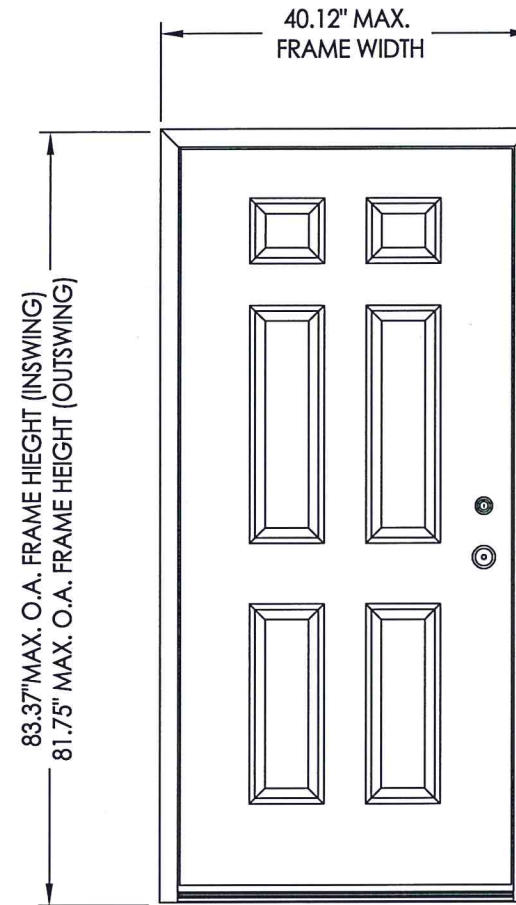
868 MURRAY ROAD, DOTHAN, AL 36303

**"REDIFRAME PD"  
HOLLOW METAL FRAME  
IN SWING / OUT SWING  
"IMPACT"**

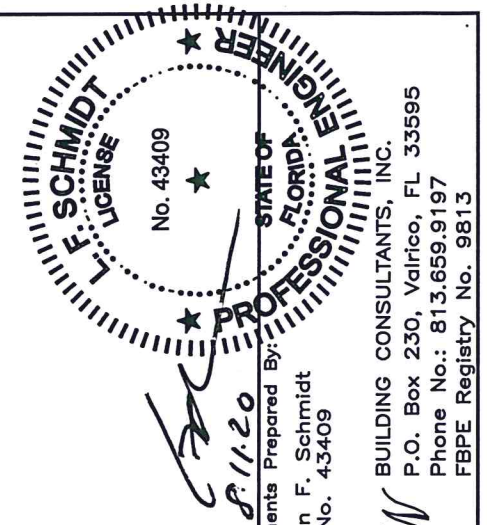
GENERAL NOTES

1. This product has been evaluated and is in compliance with the 7th Edition (2020) Florida Building Code (FBC) structural requirements excluding the "High Velocity Hurricane Zone" (HVHZ).
2. Product anchors shall be as listed and spaced as shown on details. Anchor embedment to base material shall be beyond wall dressing or stucco.
3. When used in areas requiring wind borne debris protection this product complies with FBC Sections 1609.1.2 & R301.2.1.2 and does not require an impact resistant covering. This product meets missile level "D" and includes Wind Zone 4 as defined in ASTM E 1996 and FBC Sections 1609.1.2.2 & R301.2.1.2.1.
4. Site conditions that deviate from the details of this drawing require further engineering analysis by a licensed engineer or registered architect.

TABLE OF CONTENTS	
SHEET #	DESCRIPTION
1	TYPICAL ELEVATIONS, DESIGN PRESSURES & GENERAL NOTES
2	DOOR PANEL DETAILS (Plastpro fiberglass door)
3	DOOR PANEL DETAILS (Taylor steel door)
4	DOOR PANEL DETAILS (JELD-WEN steel door)
5	DOOR PANEL DETAILS (Masonite steel door)
6	HORIZONTAL AND VERTICAL CROSS SECTIONS
7	FRAME ANCHORING
8	BILL OF MATERIALS & COMPONENTS



DOOR TYPE	OVERALL FRAME DIMENSION		DESIGN PRESSURE (PSF)			
	IN SWING	OUT SWING	IN SWING		OUT SWING	
			POSITIVE	NEGATIVE	POSITIVE	NEGATIVE
PLASTPRO FIBERGLASS DOOR	40.12" x 83.37"	40.12" x 81.75"	+65.0	-70.0	+65.0	-70.0
TAYLOR STEEL DOOR	40.12" x 83.37"	40.12" x 81.75"	+50.0	-50.0	+50.0	-50.0
JELD-WEN STEEL DOOR	40.12" x 83.37"	40.12" x 81.75"	+65.0	-65.0	+65.0	-70.0
MASONITE STEEL DOOR	40.12" x 83.37"	40.12" x 81.75"	+65.0	-70.0	+65.0	-65.0

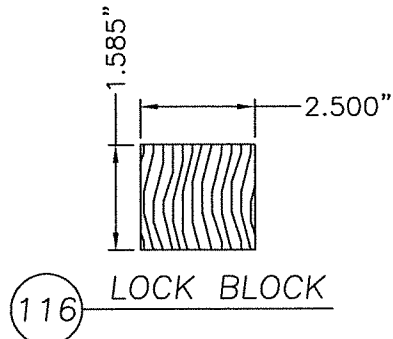
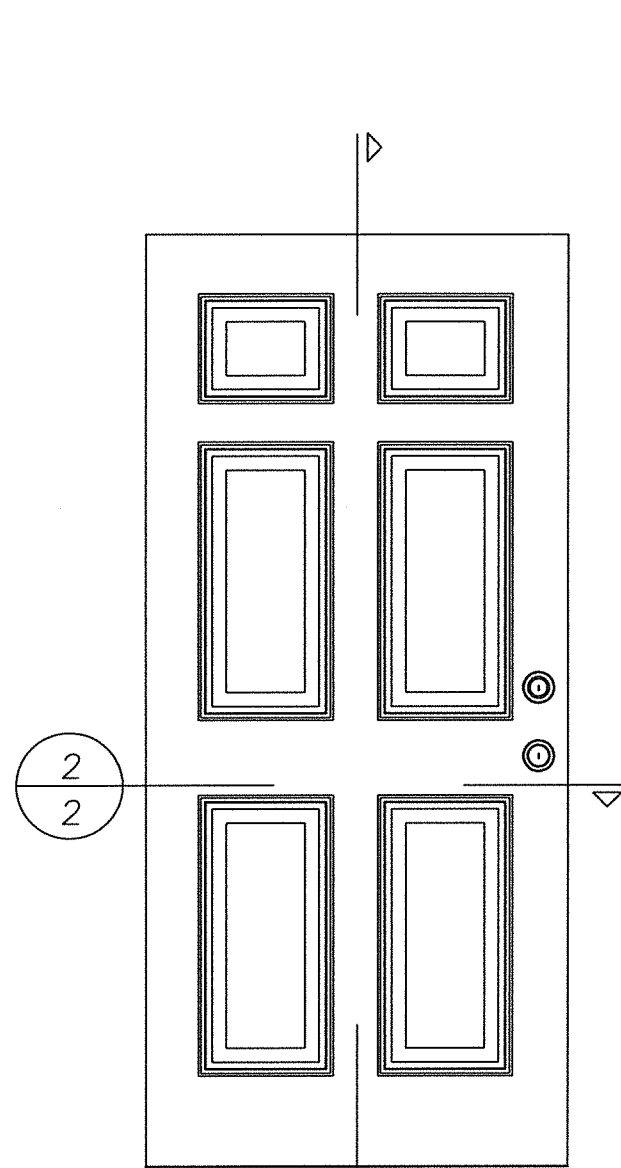


Documents Prepared By:  
Lyndon F. Schmidt  
P.E. No. 43409  
RW BUILDING CONSULTANTS, INC.  
P.O. Box 230, Valrico, FL 33595  
Phone No.: 813.659.9197  
FBPE Registry No. 9813

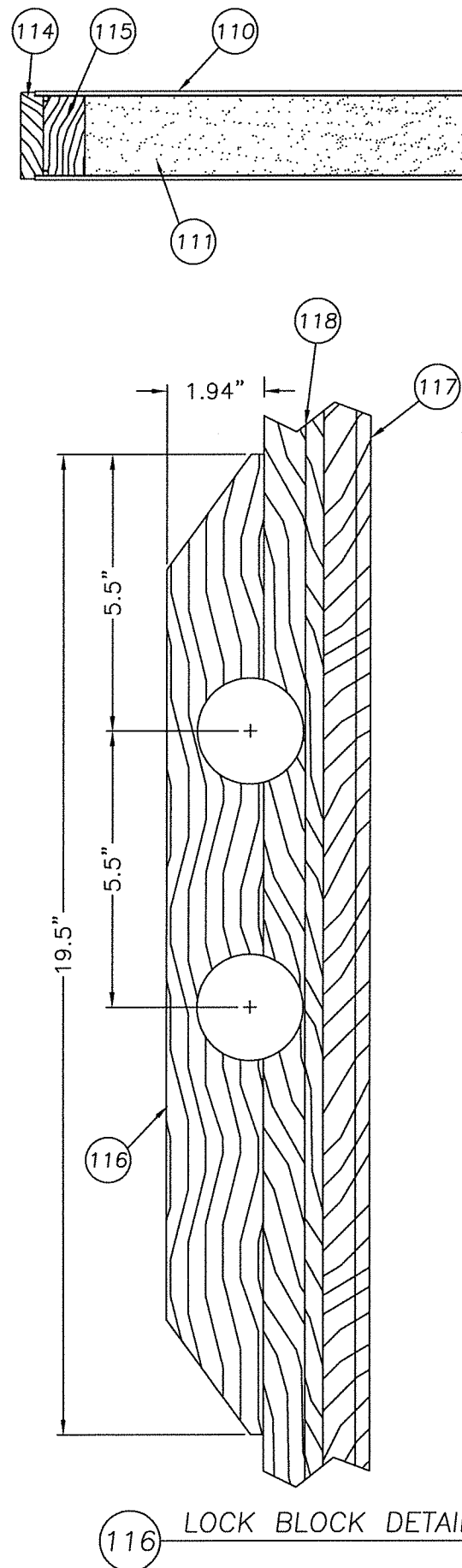
PRODUCT: DUNBARTON  
FIBERGLASS AND STEEL DOORS  
IN A HOLLOW METAL FRAME  
PART OR ASSEMBLY:  
TYPICAL ELEVATION, DESIGN  
PRESSURES & GENERAL NOTES

NO.	DATE	REVISIONS
4	8/11/20	UPDATE TO 7TH ED. (2020) FBC
3	9/2/17	UPDATE TO 6TH ED. (2017) FBC
2	3/23/15	UPDATE TO 5TH ED. (2014) FBC
1	10/17/12	REVISE TO 2010 FBC

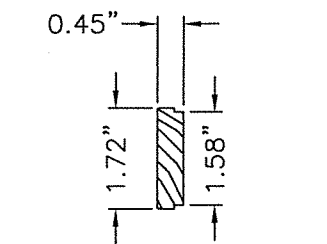
DATE: 2/14/08  
SCALE: N.T.S.  
DWG. BY: JK  
CHK. BY: LFS  
DRAWING NO.: FL-9231.1  
SHEET 1 OF 8



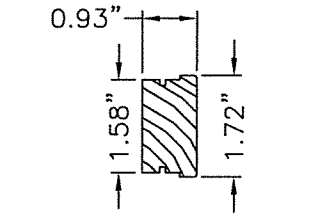
116 LOCK BLOCK



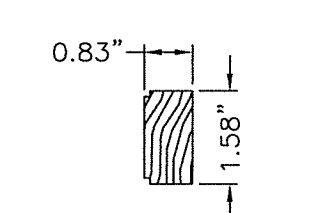
116 LOCK BLOCK DETAIL



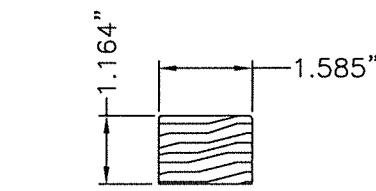
114 HINGE STYLE



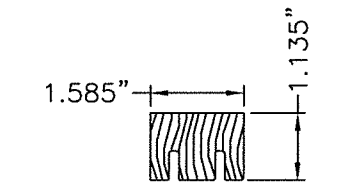
117 LATCH STYLE



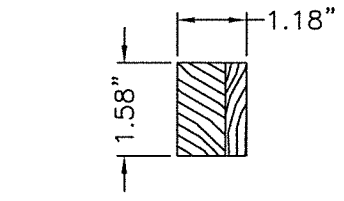
115 HINGE STYLE SUPPORTER



112 TOP RAIL

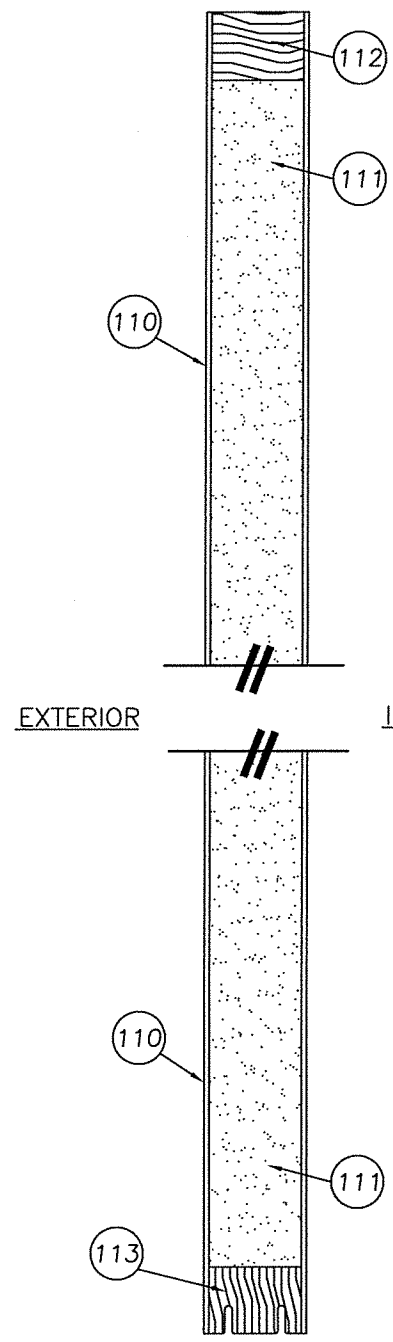
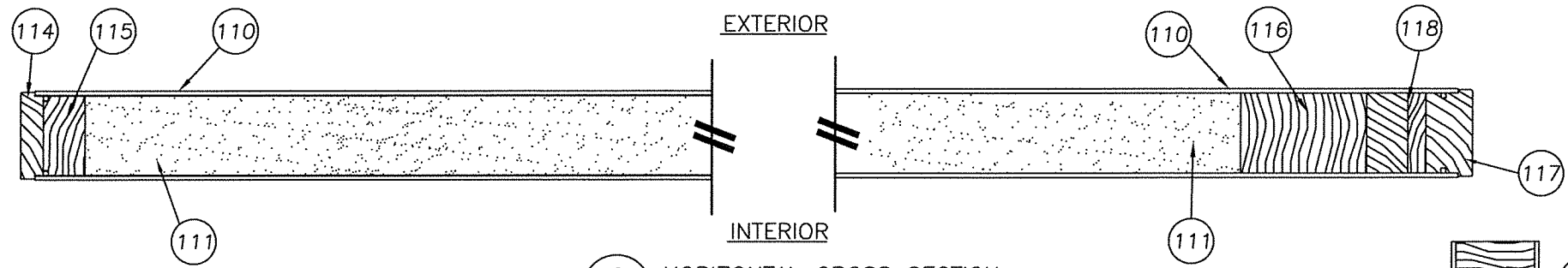


113 BOTTOM RAIL

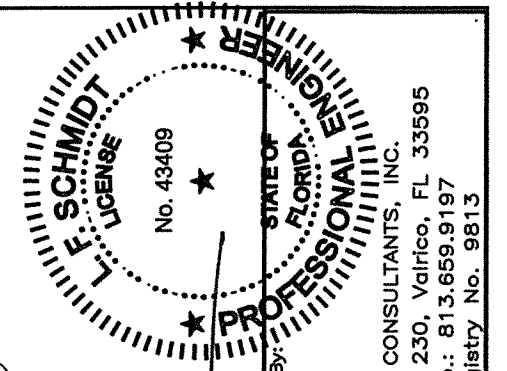


118 LATCH STYLE SUPPORTER

2 HORIZONTAL CROSS SECTION  
2 PLASTPRO FIBERGLASS OPAQUE DOOR



1 VERTICAL CROSS SECTION  
2 PLASTPRO FIBERGLASS OPAQUE DOOR

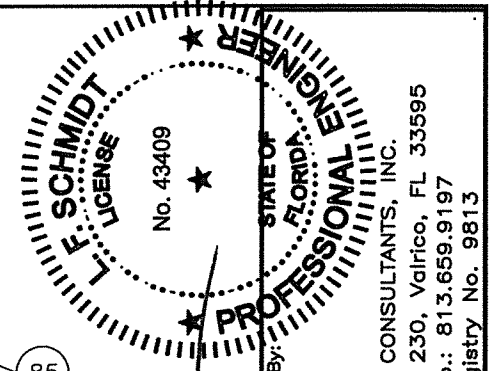
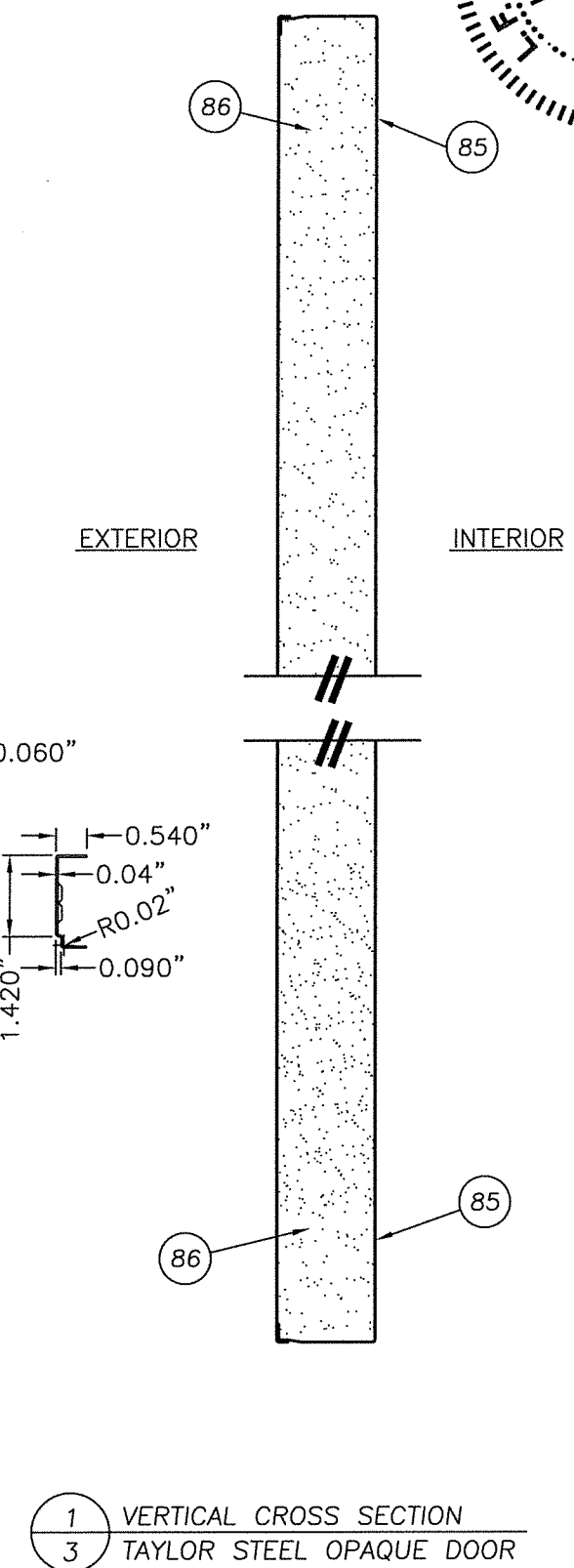
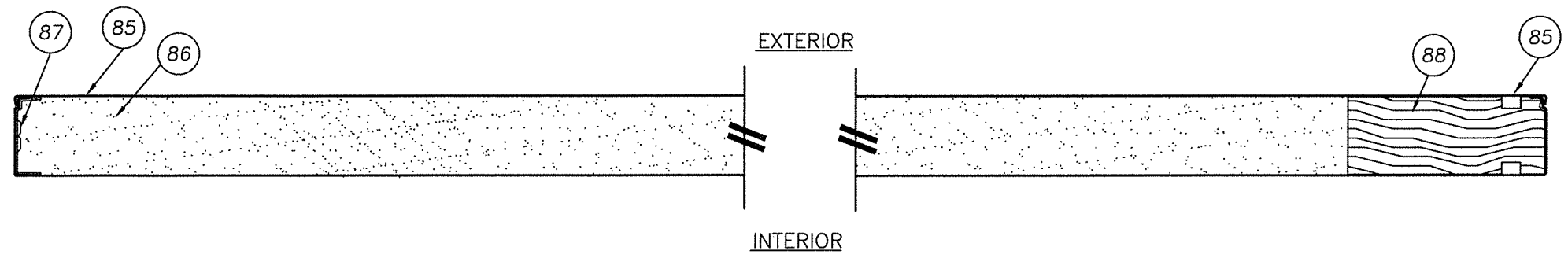
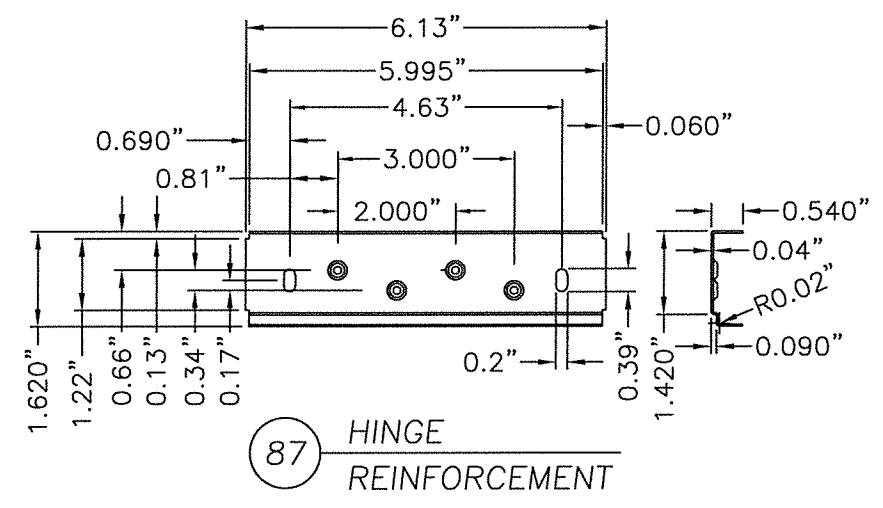
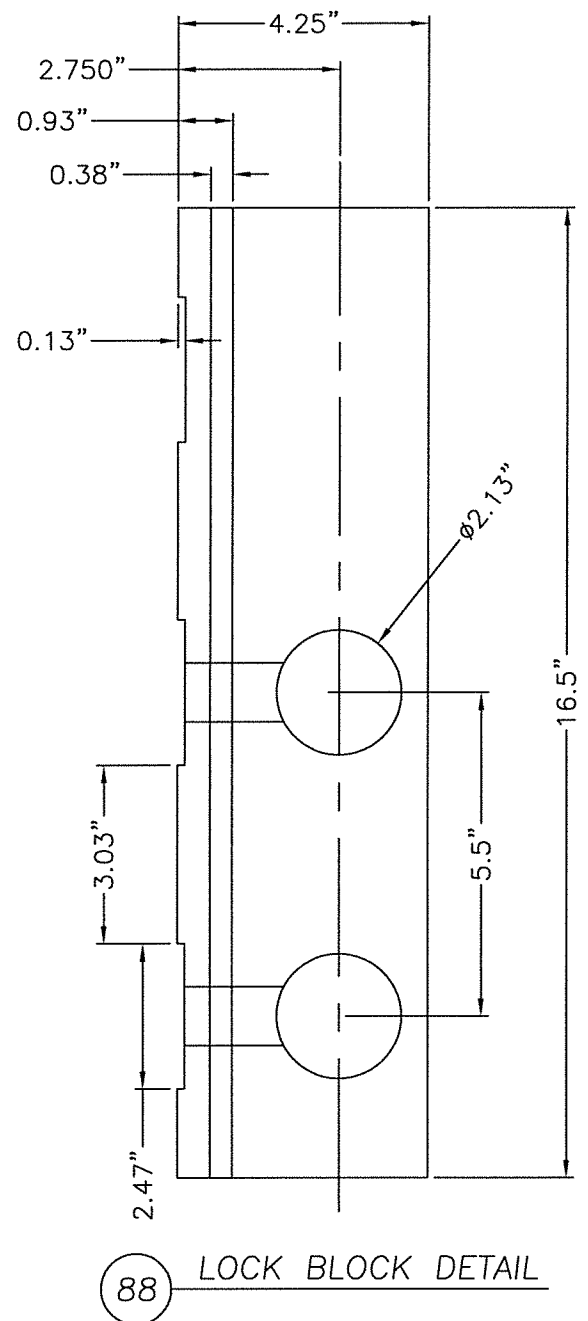
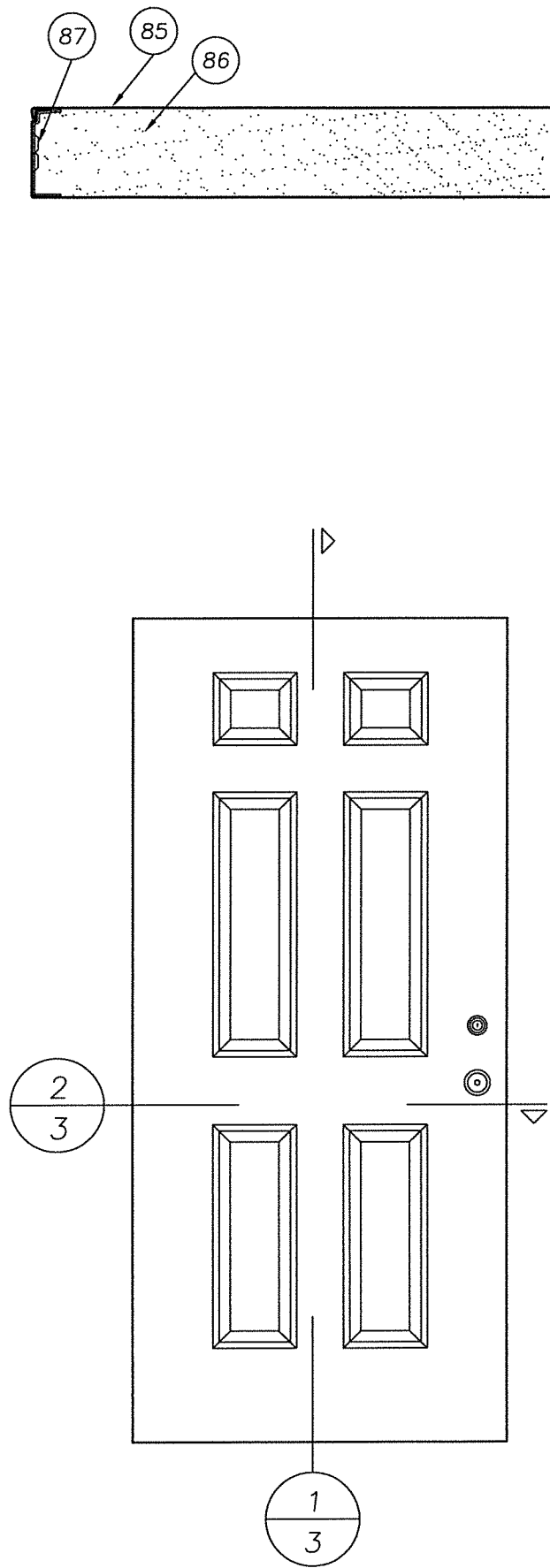


Documents Prepared By:  
Lyndon F. Schmidt  
P.E. No. 43409  
f.11.20  
R.W. BUILDING CONSULTANTS, INC.  
P.O. Box 230, Vairico, FL 33595  
Phone No.: 813.659.9197  
FBPE Registry No. 9813

PRODUCT:  
DUNBARTON  
FIBERGLASS & STEEL DOORS  
IN A HOLLOW METAL FRAME  
PART OR ASSEMBLY:  
DOOR PANEL DETAILS  
(PLASTPRO FIBERGLASS DOOR)

NO.	DATE	REVISIONS	BY
4	8/11/20	UPDATE TO 7TH ED. (2020) FBC	LFS
3	9/2/17	UPDATE TO 6TH ED. (2017) FBC	LFS
2	3/18/15	UPDATE TO 5TH ED. (2014) FBC	JK
1	10/17/12	REVISE TO 2010 FBC	JK

DATE: 2/14/08  
SCALE: N.T.S.  
DWG. BY: JK  
CHK. BY: LFS  
DRAWING NO.: FL-9231.1  
SHEET 2 OF 8



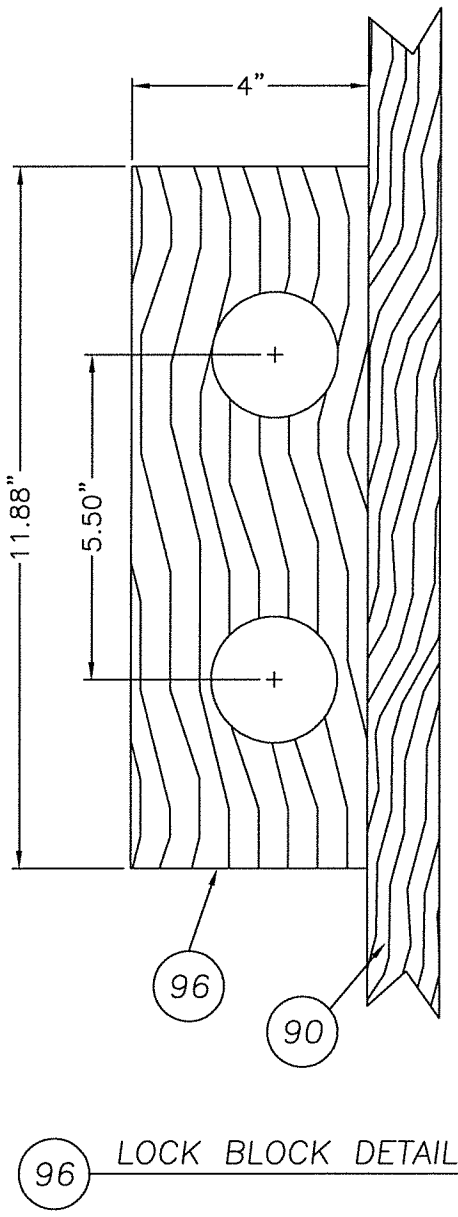
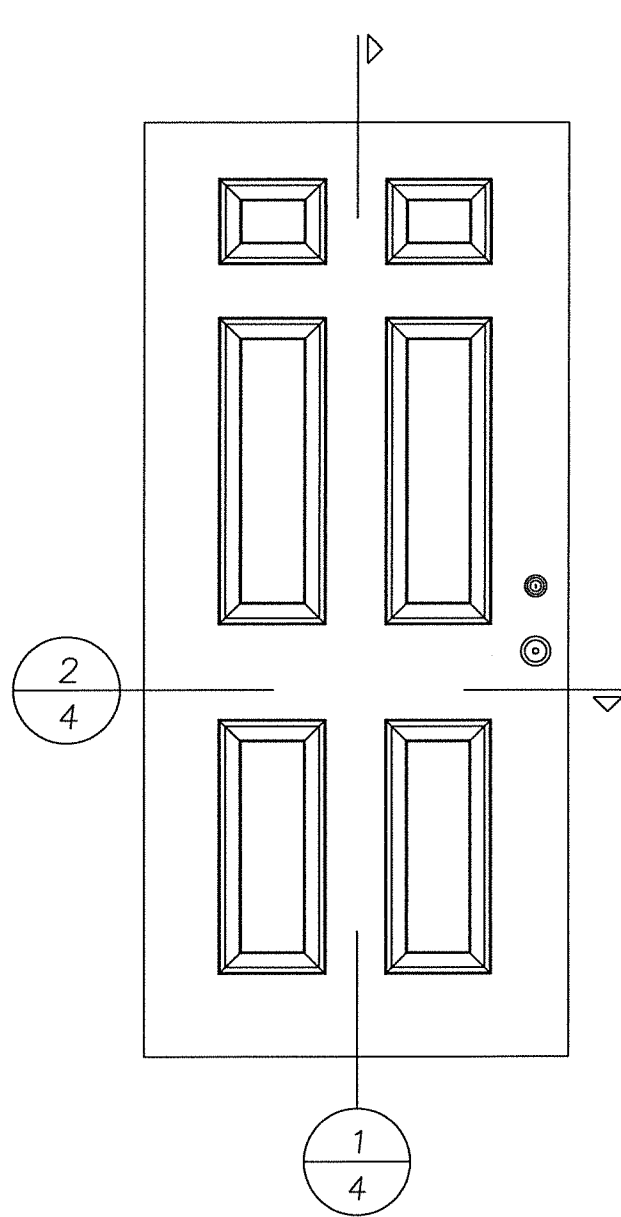
Documents Prepared By:  
Lyndon F. Schmidt  
P.E. No. 43409

RW BUILDING CONSULTANTS, INC.  
P.O. Box 230, Valrico, FL 33595  
Phone No.: 813.659.9197  
FBPE Registry No. 9813

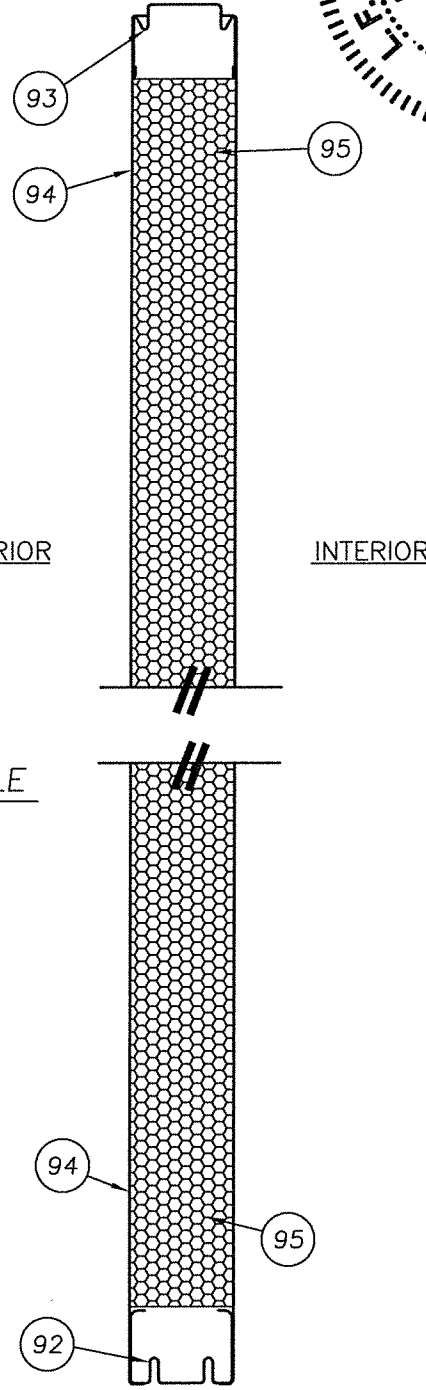
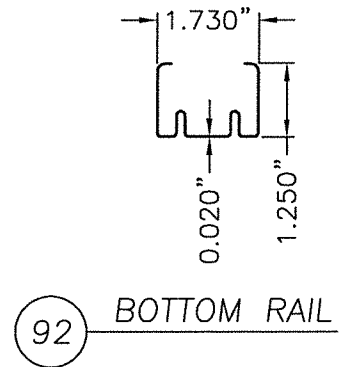
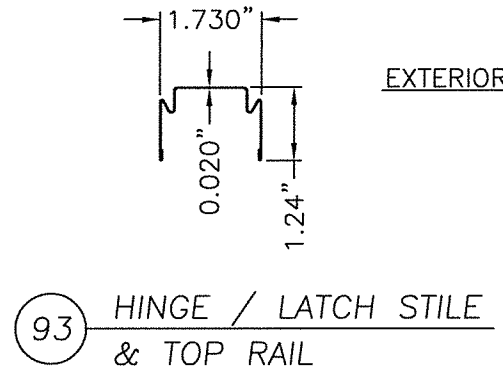
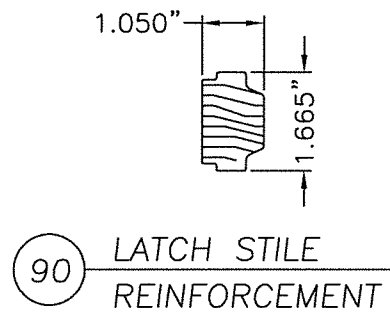
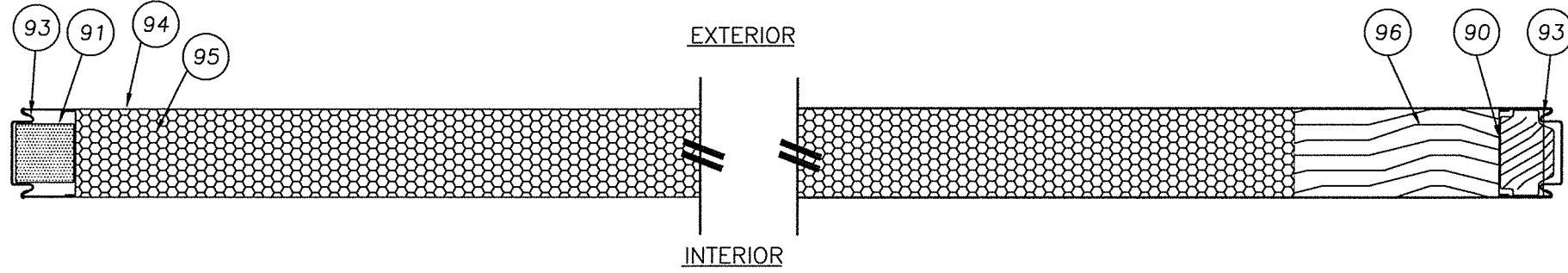
CFL  
8.11.20

PRODUCT:		DUNBARTON FIBERGLASS & STEEL DOORS IN A HOLLOW METAL FRAME			
PART OR ASSEMBLY:		DOOR PANEL DETAILS (TAYLOR STEEL DOOR)			
NO.	DATE	REVISIONS	BY	JK	JK
4	8/11/20	UPDATE TO 7TH ED. (2020) FBC	LFS	LFS	LFS
3	9/2/17	UPDATE TO 6TH ED. (2017) FBC	LFS	LFS	LFS
2	3/18/15	UPDATE TO 5TH ED. (2014) FBC	JK	JK	JK
1	10/17/12	REVISE TO 2010 FBC	JK	JK	JK

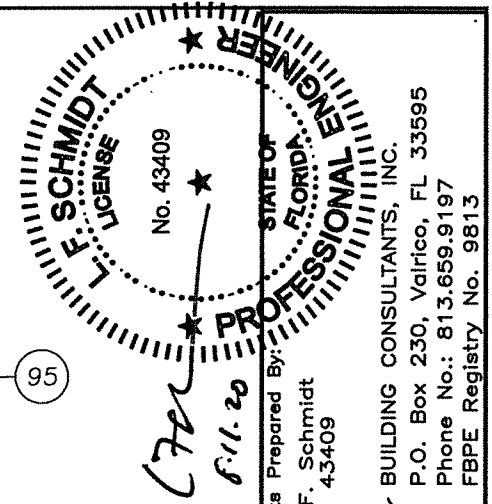
DATE: 2/14/08  
SCALE: N.T.S.  
DWG. BY: JK  
CHK. BY: LFS  
DRAWING NO.: FL-9231.1  
SHEET 3 OF 8



2 HORIZONTAL CROSS SECTION  
4 JELD-WEN STEEL OPAQUE DOOR



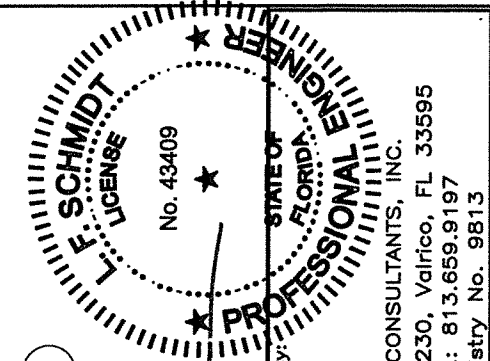
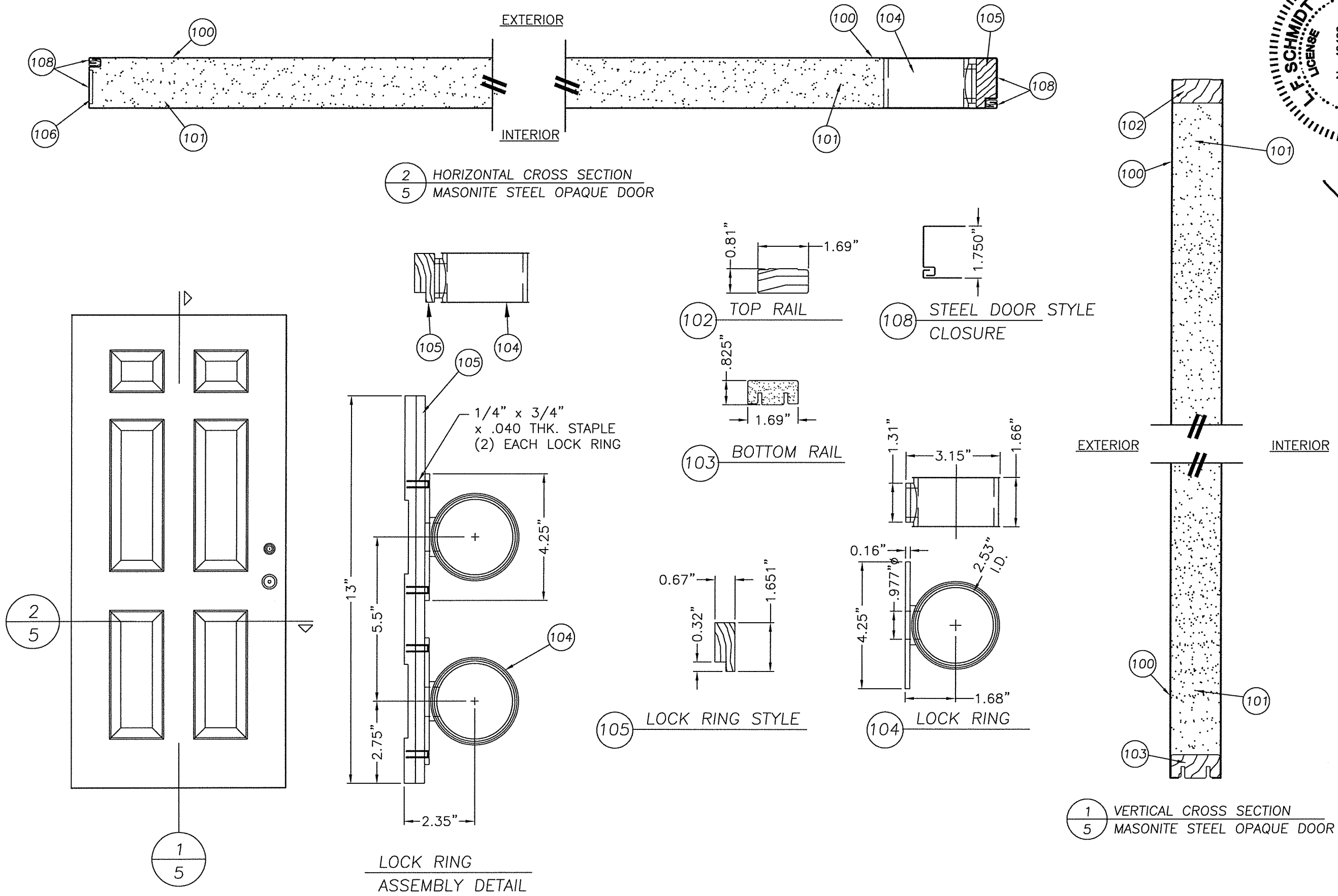
1 VERTICAL CROSS SECTION  
4 JELD-WEN STEEL OPAQUE DOOR



PRODUCT: DUNBARTON FIBERGLASS & STEEL DOORS IN A HOLLOW METAL FRAME  
PART OR ASSEMBLY: DOOR PANEL DETAILS (JELD-WEN STEEL DOOR)

NO.	DATE	REVISIONS
4	8/11/20	UPDATE TO 7TH ED. (2020) FBC
3	9/2/17	UPDATE TO 6TH ED. (2017) FBC
2	3/18/15	UPDATE TO 5TH ED. (2014) FBC
1	10/17/12	REVISE TO 2010 FBC

DATE: 2/14/08  
SCALE: N.T.S.  
DWG. BY: JK  
CHK. BY: LFS  
DRAWING NO.: FL-9231.1  
SHEET 4 OF 8

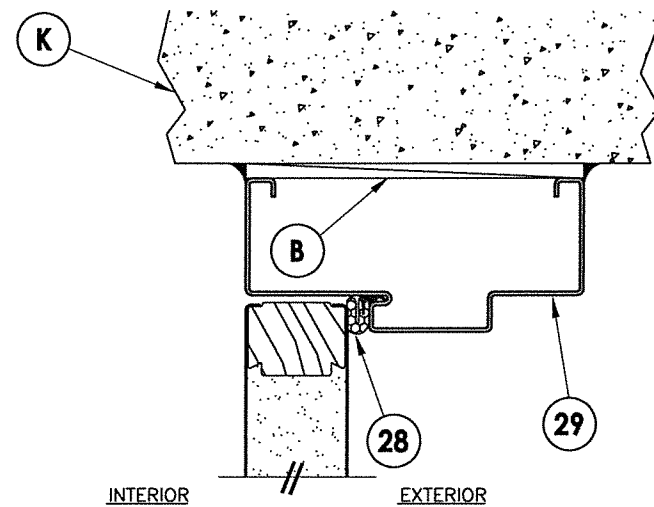
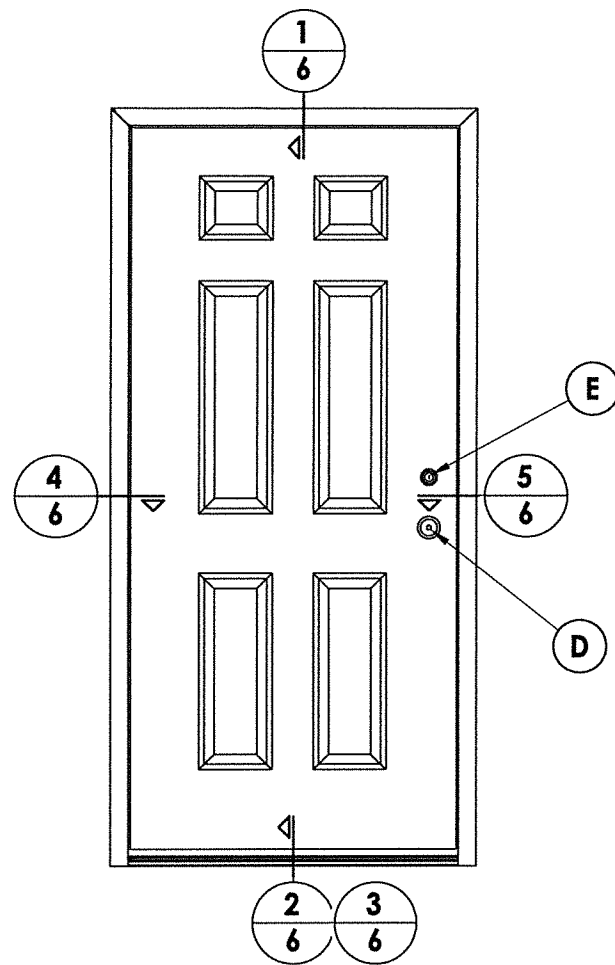


Documents Prepared By: Lyndon F. Schmidt  
P.E. No. 43409  
R.W. BUILDING CONSULTANTS, INC.  
P.O. Box 230, Valrico, FL 33595  
Phone No.: 813.659.9197  
FBPE Registry No. 9813

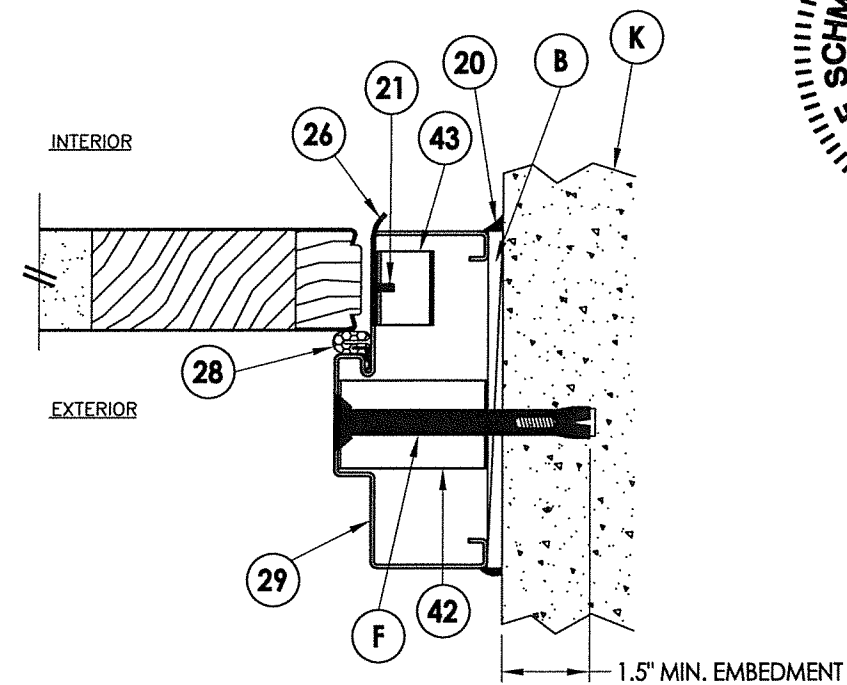
PRODUCT: DUNBARTON FIBERGLASS & STEEL DOORS IN A HOLLOW METAL FRAME PART OR ASSEMBLY: DOOR PANEL DETAILS (MASONITE STEEL DOOR)

NO.	DATE	REVISIONS
4	8/11/20	UPDATE TO 7TH ED. (2020) FBC
3	9/2/17	UPDATE TO 6TH ED. (2017) FBC
2	3/18/15	UPDATE TO 5TH ED. (2014) FBC
1	10/17/12	REVISE TO 2010 FBC
		NO. DATE

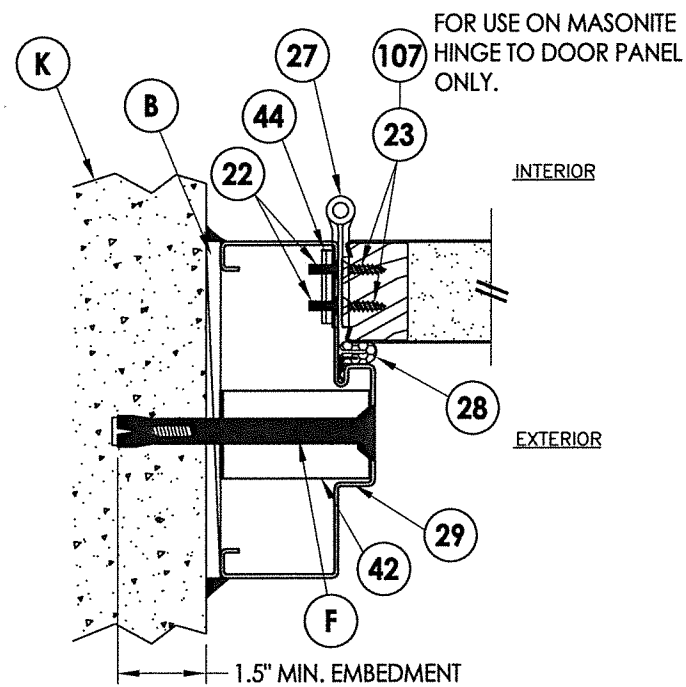
DATE: 2/14/08  
SCALE: N.T.S.  
DWG. BY: JK  
CHK. BY: LFS  
DRAWING NO.: FL-9231.1  
SHEET 5 OF 8



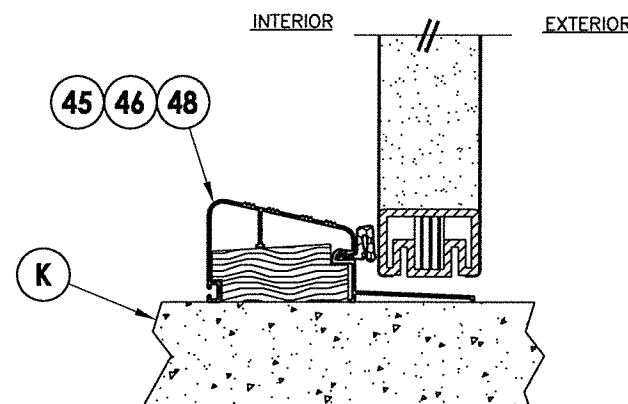
**1**  
**6** **VERTICAL CROSS SECTION**  
IN SWING SHOWN (OUT SWING SIMILAR)  
MASONRY CONSTRUCTION



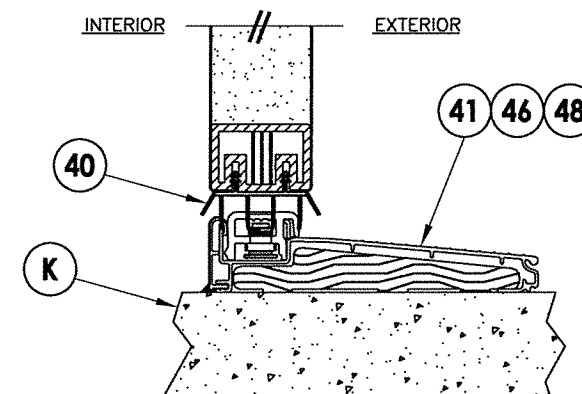
**5**  
**6** **HORIZONTAL CROSS SECTION**  
IN SWING SHOWN (OUT SWING SIMILAR)  
MASONRY CONSTRUCTION



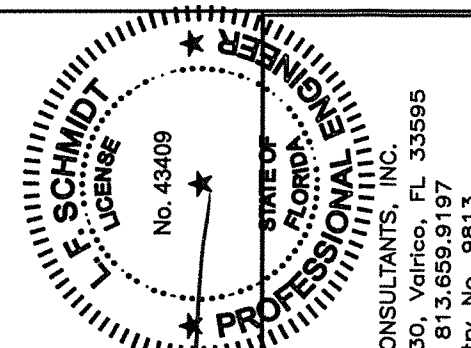
**4**  
**6** **HORIZONTAL CROSS SECTION**  
IN SWING SHOWN (OUT SWING SIMILAR)  
MASONRY CONSTRUCTION



**2**  
**6** **VERTICAL CROSS SECTION**  
OUT SWING THRESHOLD  
MASONRY CONSTRUCTION



**3**  
**6** **VERTICAL CROSS SECTION**  
IN SWING THRESHOLD  
MASONRY CONSTRUCTION

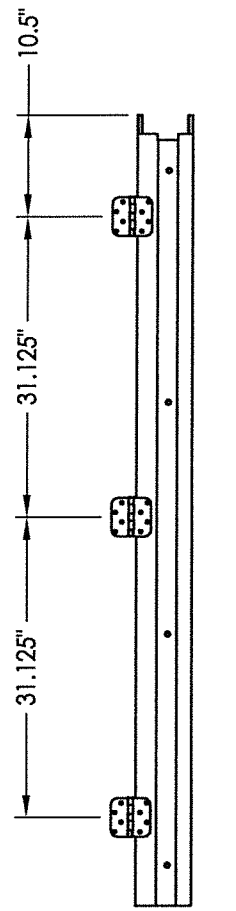


Documents Prepared By:  
Lyndon F. Schmidt  
P.E. No. 43409  
8/11/20

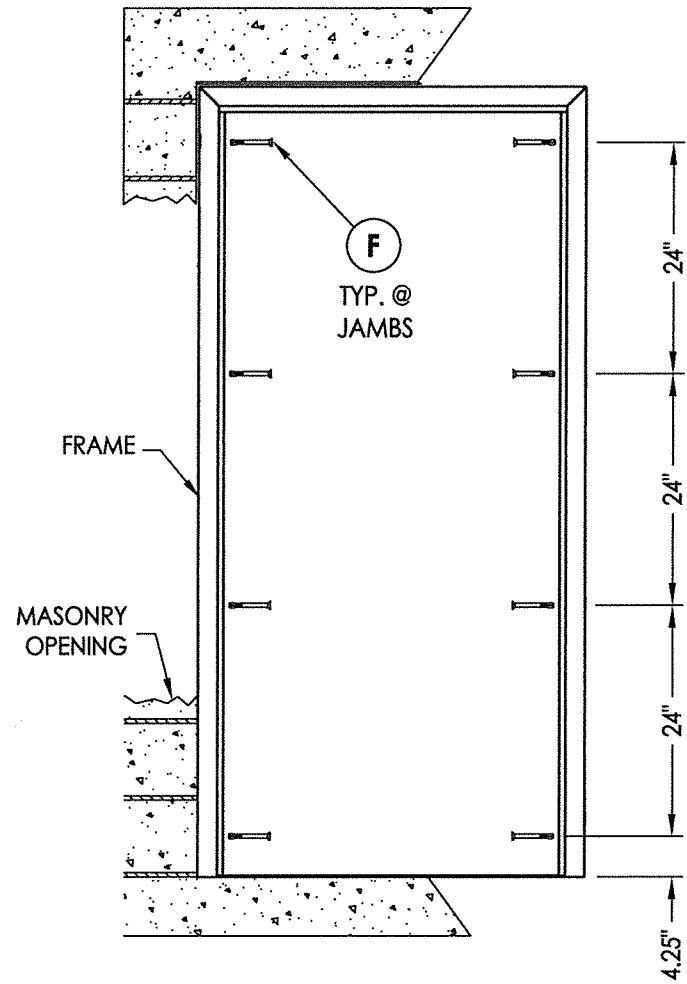
PRODUCT: DUNBARTON FIBERGLASS & STEEL DOORS IN A HOLLOW METAL FRAME  
PART OR ASSEMBLY: HORIZONTAL AND VERTICAL CROSS SECTIONS

NO.	DATE	REVISIONS
4	8/11/20	UPDATE TO 7TH ED. (2020) FBC
3	9/2/17	UPDATE TO 6TH ED. (2017) FBC
2	3/18/15	UPDATE TO 5TH ED. (2014) FBC
1	10/17/12	REVISE TO 2010 FBC
		BY

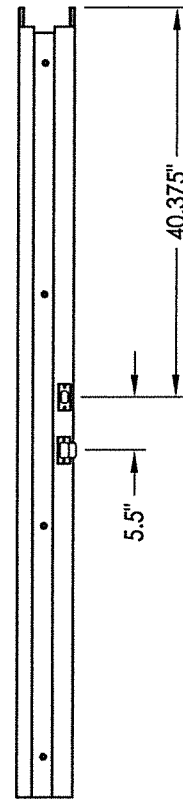
DATE: 2/14/08  
SCALE: N.T.S.  
DWG. BY: JK  
CHK. BY: LFS  
DRAWING NO.: FL-9231.1  
SHEET 6 OF 8



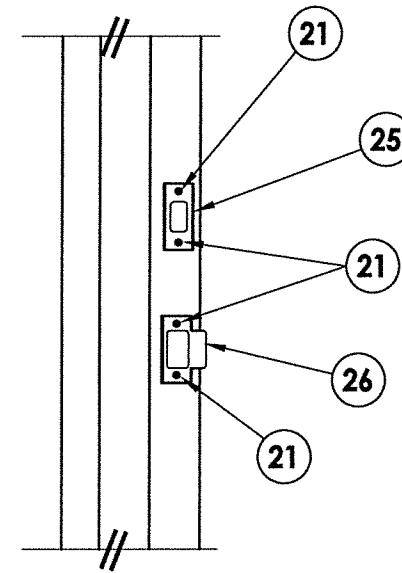
HINGE LOCATIONS



FRAME ANCHORING

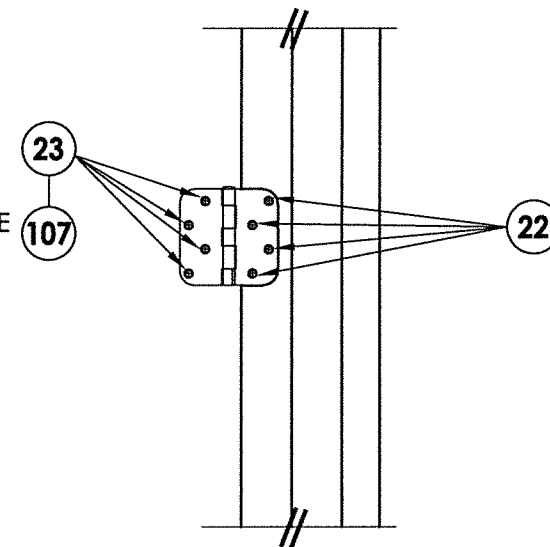


STRIKE PLATE LOCATIONS



STRIKE PLATE DETAIL

FOR USE ON MASONITE HINGE TO DOOR PANEL ONLY

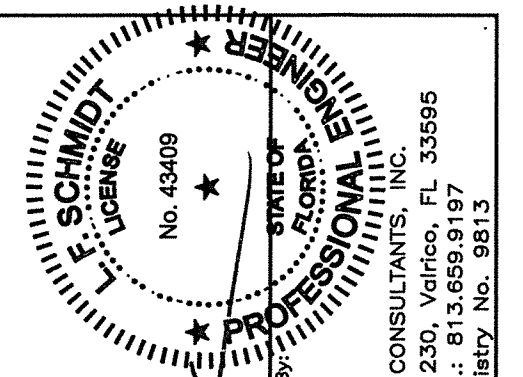


HINGE DETAIL

**CONCRETE ANCHOR NOTES:**

1. Substitution of equal concrete anchors from a different supplier may have different edge distance and center distance requirements.
2. Concrete anchor locations at the corners may be adjusted to maintain the min. edge distance to mortar joints. If concrete anchor locations noted as "MAX. ON CENTER" must be adjusted to maintain the min. edge distance to mortar joints, additional concrete anchors may be required to ensure the "MAX. ON CENTER" dimensions are not exceeded.
3. Concrete anchor table:

ANCHOR TYPE	ANCHOR SIZE	MIN. EMBEDMENT	MIN. CLEARANCE TO MASONRY EDGE	MIN. CLEARANCE TO ADJACENT ANCHOR
DYNABOLT SLEEVE ANCHOR	3/8"	1-1/2"	2-1/4"	4-1/2"



Documents Prepared By: *LFS*  
 Lyndon F. Schmidt  
 P.E. No. 43409  
 R.W.  
 BUILDING CONSULTANTS, INC.  
 P.O. Box 230, Valrico, FL 33595  
 Phone No.: 813.659.9197  
 FBPE Registry No. 9813

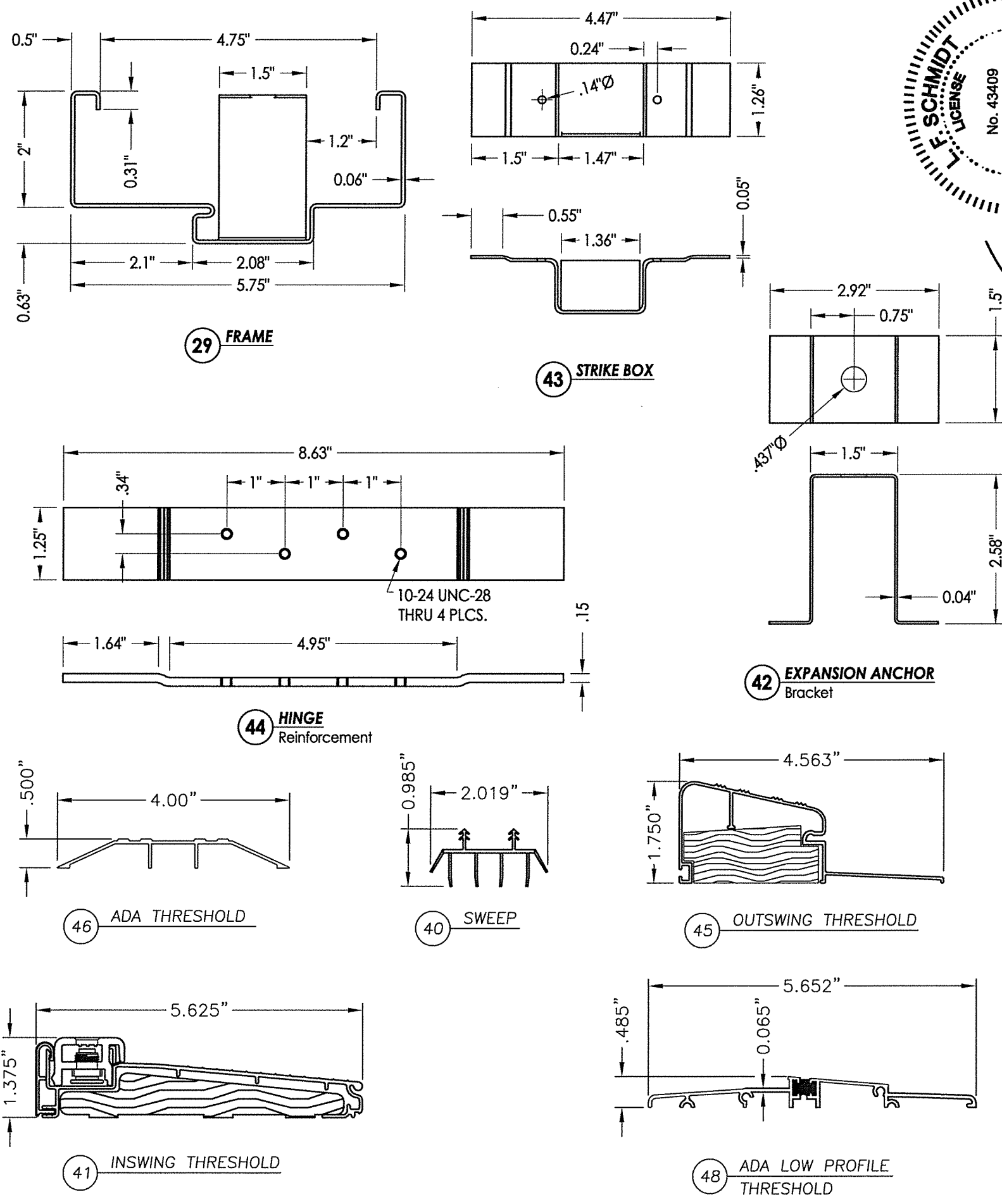
PRODUCT: DUNBARTON FIBERGLASS & STEEL DOORS IN A HOLLOW METAL FRAME  
 PART OR ASSEMBLY: FRAME ANCHORING

NO.	DATE	REVISIONS
4	8/11/20	UPDATE TO 7TH ED. (2020) FBC
3	9/2/17	UPDATE TO 6TH ED. (2017) FBC
2	3/23/15	UPDATE TO 5TH ED. (2014) FBC
1	10/17/12	REVISE TO 2010 FBC

DATE: 2/14/08  
 SCALE: N.T.S.  
 DWG. BY: JK  
 CHK. BY: LFS  
 DRAWING NO.: FL-9231.1  
 SHEET 7 OF 8

R:\Clients\Dunbarton Permanent\A - Florida Product Approvals\FL-9231 - Swinging Ext Doors - Rediframe PD\C - Drawings\FL 9231 (2020)\FL-9231.1.dwg, 8.1

BILL OF MATERIALS		
ITEM	DESCRIPTION	MATERIAL
B	1/4" MAX. SHIM SPACE	WOOD
D	PASSAGE LOCK WES LOCK (600 SERIES)	STEEL
E	DEADBOLT WES LOCK (MODEL 371)	STEEL
D	PASSAGE LOCK YALE (YH COLLECTION SERIES)	STEEL
E	DEADBOLT YALE (YH COLLECTION SERIES)	STEEL
D	KWIKSET SERIES (200) PASSAGE LOCK	STEEL
E	KWIKSET SERIES (660) DEADBOLT	STEEL
F	3/8" ITW DYNABOLT SLEEVE ANCHOR	STEEL
K	MASONRY - 3,000 PSI MIN. CONCRETE CONFORMING TO ACI 301 OR HOLLOW BLOCK CONFORMING TO ASTM C90	CONCRETE
20	SEALANT	SILICONE
21	#6 X 1-1/2" PFH SMS	STEEL
22	#7 X 3/4" PFH SCREW	STEEL
23	#9 X 3/4" PFH WOOD SCREW	STEEL
25	DEADBOLT STRIKE PLATE	STEEL
26	LATCH STRIKE PLATE	STEEL
27	HINGE	STEEL
28	WEATHERSTRIP	FOAM
29	HOLLOW METAL FRAME SYSTEM	STEEL
40	DOOR SWEEP	PVC
41	INSWING THRESHOLD	ALUM/WOOD
42	EXPANSION ANCHOR BRACKET (ASTM A653 GR. 33)	STEEL
43	STRIKE BOX	STEEL
44	HINGE REINFORCEMENT	STEEL
45	QOSR OUTSWING THRESHOLD	ALUM/WOOD
46	ADA THRESHOLD	ALUM
48	ADA LOW PROFILE THRESHOLD	ALUM
85	STEEL DOOR SKIN - 0.022" THK. (TAYLOR STL. DOOR)	STEEL
86	FOAM CORE: 2.0 lbs/FT <sup>3</sup> DENSITY, Baytherm 863 (TAYLOR STL. DOOR)	POLYURETHANE
87	HINGE REINFORCEMENT (TAYLOR STEEL DOOR)	STEEL
88	LOCK BLOCK SPRUCE-PINE-FIR SG=.42 OR BETTER (TAYLOR STL. DOOR)	WOOD
90	LATCH STILE REINFORCEMENT (JELD-WEN STEEL DOOR)	WOOD
91	HINGE STILE REINFORCEMENT (JELD-WEN STEEL DOOR)	WOOD/COMP.
92	BOTTOM RAIL (JELD-WEN STEEL DOOR)	STEEL
93	HINGE / LATCH STILE & TOP RAIL (JELD-WEN STEEL DOOR)	STEEL
94	STEEL DOOR SKIN - 0.020" THK. (JELD-WEN STEEL DOOR)	STEEL
95	FOAM CORE - EPS 1.0 LBS. lbs/FT <sup>3</sup> DENSITY (JELD-WEN STEEL DOOR)	POLYSTYRENE
96	LOCK BLOCK (JELD-WEN STEEL DOOR)	WOOD
100	STEEL DOOR SKIN - 0.020" THK. (MASONITE STEEL DOOR)	STEEL
101	FOAM CORE - BASF 2.0 to 2.5lbs./FT <sup>3</sup> (MASONITE STL DOOR)	POLYURETHANE
102	DOOR TOP RAIL (MASONITE STEEL DOOR)	WOOD
103	DOOR BOTTOM RAIL (MASONITE STEEL DOOR)	COMPOSITE
104	PLASTIC LOCK RING (MASONITE STEEL DOOR)	PLASTIC
105	LOCK RING STYLE (MASONITE STEEL DOOR)	WOOD
106	HINGE REINFORCEMENT 14 GA. (MASONITE STEEL DOOR)	STEEL
107	HINGE TO DOOR SCREW #10-24x1/2" PFH M.S.(MASONITE STEEL DOOR)	STEEL
108	DOOR STYLE CLOSURE DETAIL (MASONITE STEEL DOOR)	STEEL
110	DOOR SKIN - 0.075" MIN. THK. (PLASTPRO FIBERGLASS DOOR)	FIBERGLASS
111	FOAM CORE BY PLASTPRO, 2.0 lbs/FT (PLASTPRO FIBERGLASS DOOR)	POLYURETHANE
112	DOOR TOP RAIL (PLASTPRO FIBERGLASS DOOR)	WOOD
113	DOOR BOTTOM RAIL (PLASTPRO FIBERGLASS DOOR)	WOOD
114	HINGE STYLE (PLASTPRO FIBERGLASS DOOR)	WOOD
115	HINGE STYLE SUPPORTER (PLASTPRO FIBERGLASS DOOR)	WOOD
116	LOCK BLOCK (PLASTPRO FIBERGLASS DOOR)	WOOD
117	LATCH STYLE (PLASTPRO FIBERGLASS DOOR)	WOOD
118	LATCH STYLE SUPPORTER (PLASTPRO FIBERGLASS DOOR)	WOOD



**STATE OF FLORIDA**  
**PROFESSIONAL ENGINEER**  
**L. F. SCHMIDT**  
 LICENSE No. 43409

Documents Prepared By: *LFS*  
 Lyndon F. Schmidt  
 P.E. No. 43409

*RW*  
 BUILDING CONSULTANTS, INC.  
 P.O. Box 230, Vairico, FL 33595  
 Phone No.: 813.659.9197  
 FBPE Registry No. 9813

PRODUCT:		DUNBARTON FIBERGLASS & STEEL DOORS IN A HOLLOW METAL FRAME			
PART OR ASSEMBLY:		BILL OF MATERIALS AND COMPONENTS			
		LFS	LFS	JK	JK
4	8/11/20	UPDATE TO 7TH ED. (2020) FBC			
3	9/2/17	UPDATE TO 6TH ED. (2017) FBC			
2	3/18/15	UPDATE TO 5TH ED. (2014) FBC			
1	10/17/12	REVISE TO 2010 FBC			
	NO.	DATE			
REVISIONS					
DATE: 2/14/08					
SCALE: N.T.S.					
DWG. BY: JK					
CHK. BY: LFS					
DRAWING NO.: FL-9231.1					
SHEET 8 OF 8					